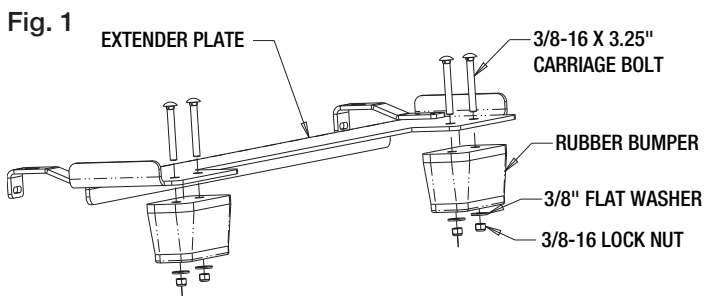


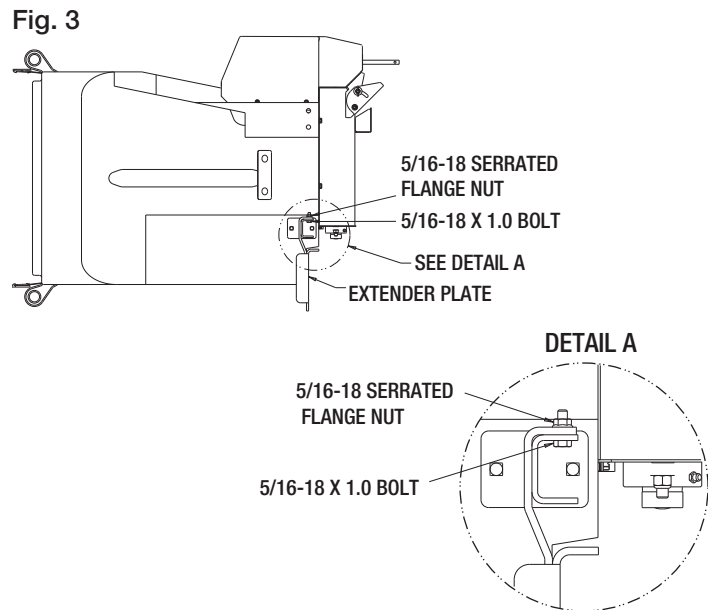
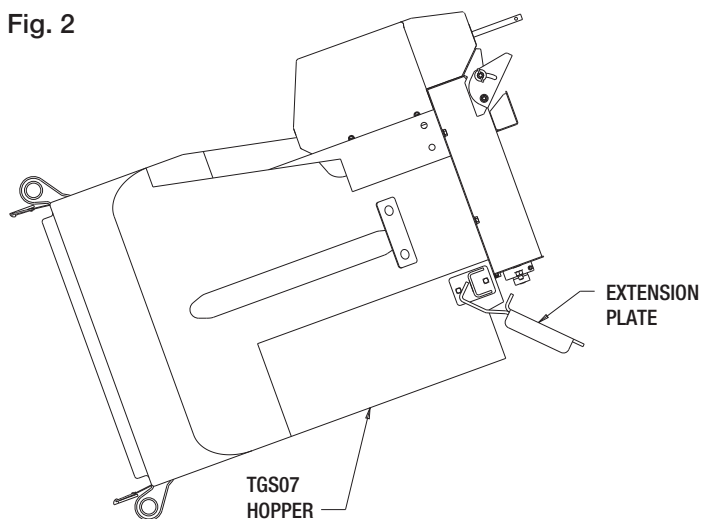
Installation Instructions

3038520 TGS07 Extension Kit

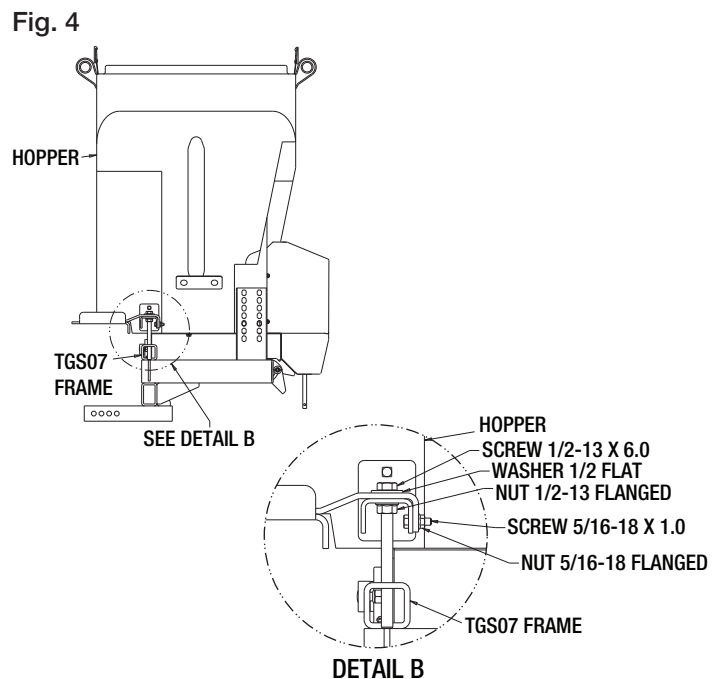
1. Refer to TGS07 assembly instructions (Part No 3020208).
2. Protect bumper, tailgate, and all surfaces to prevent scratches.
3. If installing on Ram truck or others requiring spacers between the bumper and extension plate, install the rubber bumpers and hardware included in the TGS07 Extension Kit per Figure 1.



4. Lay spreader flat on its back and support underside so that the shaft end is suspended in the air as shown in Figure 2. Hook the extension plate bracket onto the hopper mounting brackets and hinge on until brackets lay flush together. Install hardware as shown in Figure 3.



5. Continue to assemble hopper to frame per step 2 in TGS07 assembly instructions. Figure 4 for reference below.



WARRANTY

Buyers Products Co. warrants all truck/trailer hardware manufactured or distributed by it, to be free from defects in material and workmanship for a period of one year from date of shipment. Parts must be properly installed and used under normal conditions. Any product which has been altered, including modification, misuse, accident or lack of maintenance will not be considered under warranty. Normal wear is excluded. The sole responsibility of Buyers Products Co. under this warranty is limited to repairing or replacing any part or parts which are returned, prepaid, and are found to be defective by Buyers Products Co. Authorization from Buyers Products Co. must be obtained before returning any part. No charges for transportation or labor performed on Buyers' products will be allowed under this warranty.